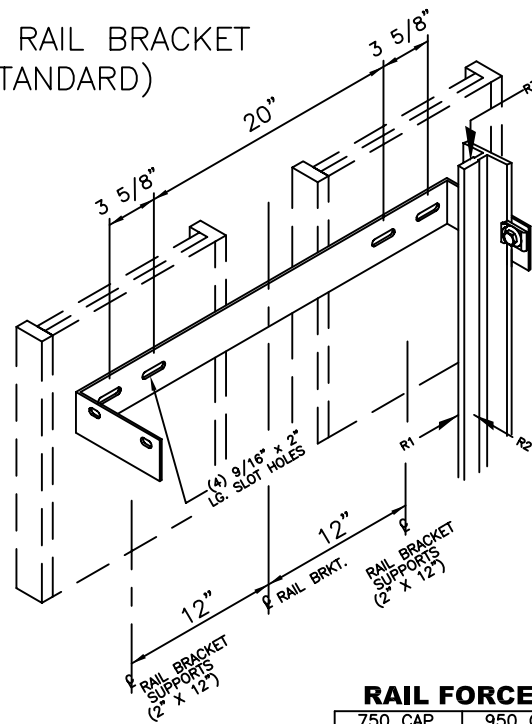


FIXED RAIL BRACKET
(STANDARD)



RAIL FORCES

	750 CAP.	950 CAP.
R1	65 LBS.	105 LBS.
R2	220 LBS.	250 LBS.
R3	3,205 LBS.	3,730 LBS.

**Rail Bracket
(Standard)**



R.E.A.L. Elevator Solutions, Inc.
P.O. Box 30544
Raleigh, NC 27622
Toll Free: 866-550-REAL
Fax: 919-788-7633
sales@realelevators.com
ROPED HYDRAULIC
RESIDENTIAL ELEVATOR