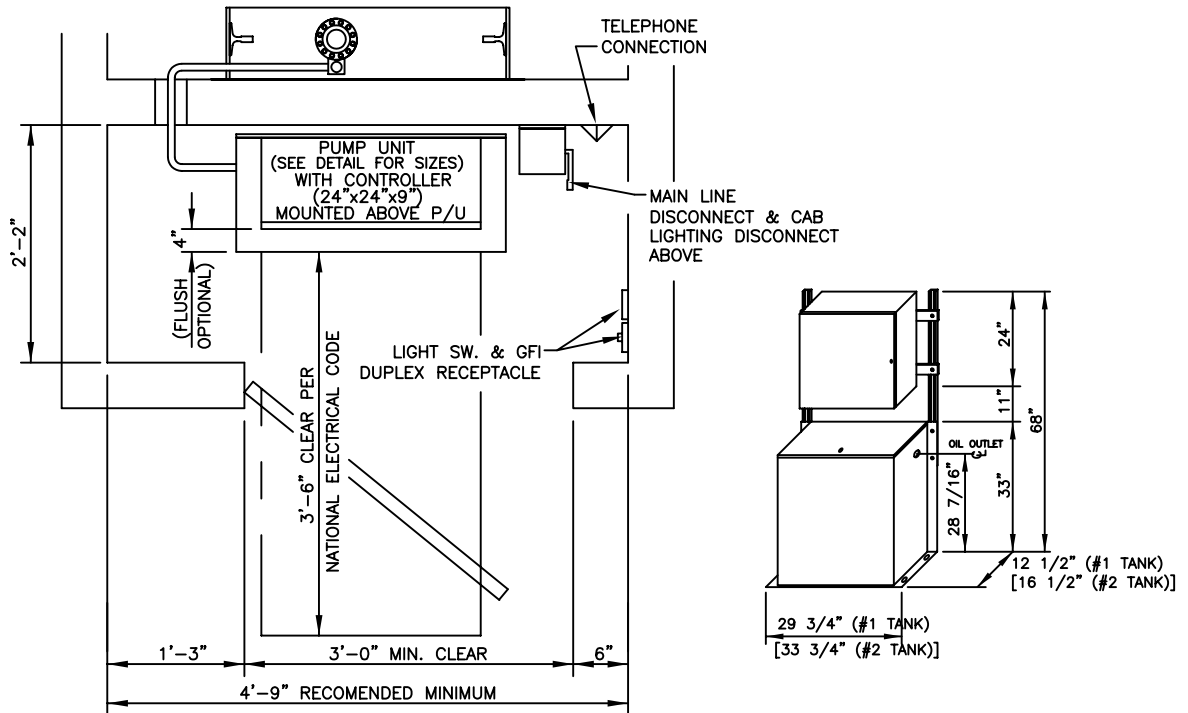


## ALTERNATE MACHINE ROOM LAYOUT



## Machine Room (Alternate)

**REAL**  
Elevator Solutions, Inc.  
Residential Elevators & Accessibility Lifts

R.E.A.L. Elevator Solutions, Inc.  
P.O. Box 30544  
Raleigh, NC 27622  
Toll Free: 866-550-REAL  
Fax: 919-788-7633  
sales@realelevators.com  
**ROPED HYDRAULIC**  
**RESIDENTIAL ELEVATOR**

www.realelevators.com